



Domestic water meter "ECO" dry dial for modular radio, M-Bus and Impulse systems

- Temperature range up to 50 °C (cold) and up to 90 °C (warm)
- Nominal flow Q3 2,5 up to Q3 25
- Nominal size DN15 up to DN50
- MID measurement accuracy class up to R100 horizontal
- Protection class IP 64
- Easy on site retrofitting with radio, pulse or M-Bus



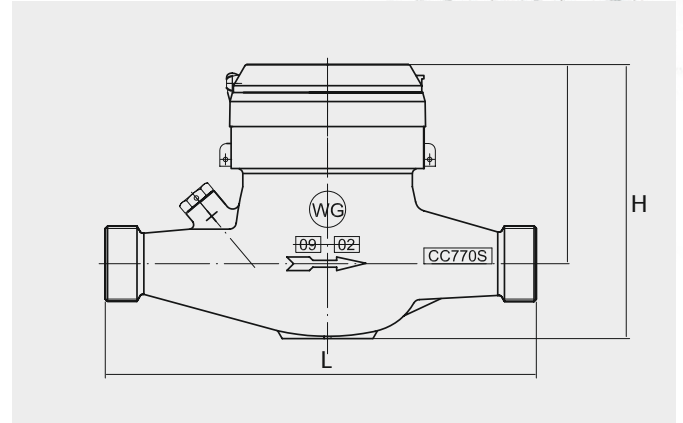


The flexible meter generation ETW-ECO

- For cold water up to 50 °C
- For warm water up to 90 °C
- Horizontal and vertical installation
- Retrofitting capability for radio module
- Retrofitting capability for M-Bus module
- Retrofitting capability for pulse module

Discharging the building management by:

- Avoiding special visits, saving thus extra costs by easy reading for vacant apartments
- Avoiding appointment coordination for apartments which are not accessible
- Avoiding consumption estimation in case of absence of the residents or built-in devices
- An accurate and thus low-conflict account
- an exact data collection which is possible 365 days a year



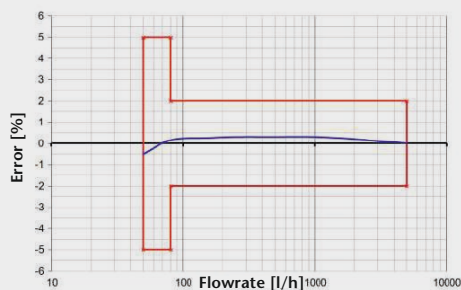
Installation position	Type	Length* L in mm	Height H in mm	Nominal flow Q3 in m3/h	Nominal width DN in mm	Thread in inch	Starting flow** in l/h	Flow rate Q at 1 bar pressure loss in l/h (ca.)	Weight in kg (ca.)
horizontal	MTW	190	108	4	20	G 1 B	8	5.600	1,6
		260	120	10	25	G ¼ B	17	12.500	2,9
		300	143	16 ^{b)}	40	G 2 B	19	24.000	4,9
		300 ^{a)}	155	25 ^{b)}	50	G 2½ B	20	31.250	9,5
ascending	MTS	105	142	4	20	G 1 B	8	5.500	1,7
		150	162	10	25	G 1¼ B	17	12.500	2,8
		150	207	16 ^{b)}	40	G 2 B	19	26.000	4,7
descending	MTF	105	142	4	20	G 1 B	8	5.500	1,9

* Additional lengths available on request ** Typical values in horizontal installation position

a) for Q3 25 MTW-HWX (warm water) only possible with a length of 270 mm

b) warm water meters only available as quality approved versions

Typical error curve Q3 4 R80H



Typical pressure loss graph

